

Connecting clamps with mounting plate

Technopolymer

CLAMP

Glass-fibre reinforced polyamide based (PA) technopolymer, RAL 9005 (C9) black colour or grey RAL 7040 (C33) colour, matte finish.

SCREW AND NUT (SUPPLIED)

Cylindrical-head screws with hexagon socket in AISI 304 stainless steel with anti-seizure treatment.

Self-locking nut in AISI 304 stainless steel.

FEATURES

Clamps for tubes with a diameter of 18 ± 0.2 and 30 ± 0.2 mm.

For smaller diameter tubes, the hole reduction sleeve TCC-A can be used (ordered separately).

The "s" grub screw may be replaced by the kit TCC-KS.

TECHNICAL DATA

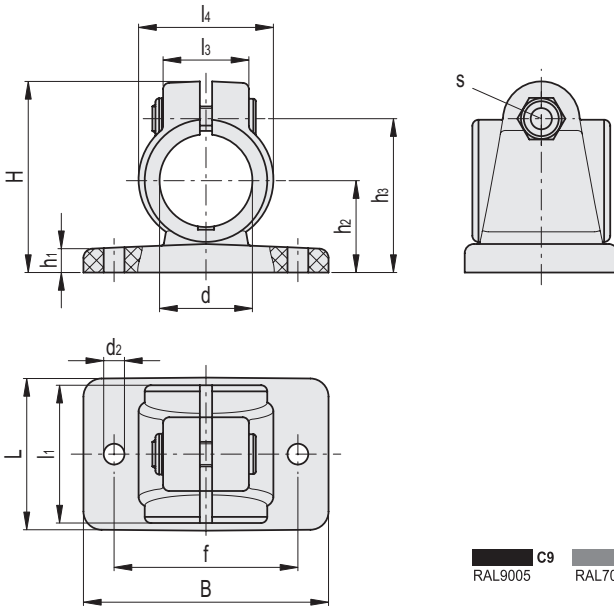
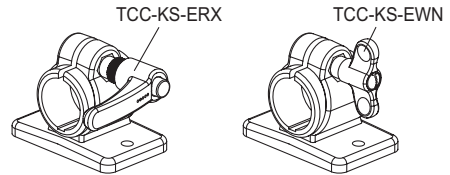
The resistance values shown in the table were measured during laboratory tests at ambient temperature with the screws tightened to the maximum torque "C#".

ACCESSORIES ON REQUEST (TO BE ORDERED SEPARATELY)

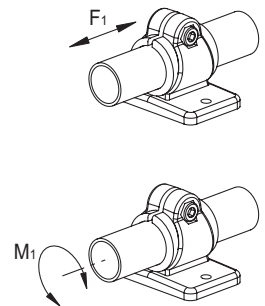
- TCC-A (see page -): reduction sleeves.
- TCC-KS (see page -): clamping kit.
- TCC-KV (see page -): screws and clamping nuts.
- GN 990 (see page -): connecting tubes.



ELESA Original design



■ C9 RAL9005 ■ C33 RAL7040



STAINLESS STEEL

Code	Description	d	L	B	H	d2	f±0.2	h1	h2	h3	l1	l3	l4	s	C# [Nm]	F1* [N]	M1** [Nm]	⚖️
600141-C9	TCC-TB-18-C9	18	34.5	52	41	5.3	40	5	18	33.5	29	21	29	M6	5	1450	16	29
600141-C33	TCC-TB-18-C33	18	34.5	52	41	5.3	40	5	18	33.5	29	21	29	M6	5	1450	16	29
600241-C9	TCC-TB-30-C9	30	49.5	80	61.5	6.5	60	8	30	50	44.5	27	44	M8	12	1800	27	84
600241-C33	TCC-TB-30-C33	30	49.5	80	61.5	6.5	60	8	30	50	44.5	27	44	M8	12	1800	27	84

Suggested torque for screw assembly.

* Resistance to tube pull out

** Resistance to tube rotation