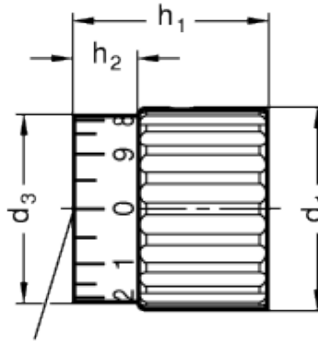
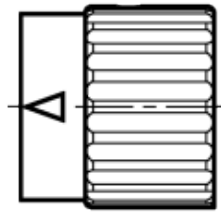
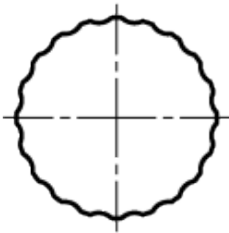


GN 436.1

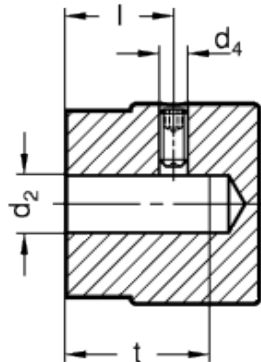
Slotted control knobs



INOX
Stainless Steel



0 resp. arrow
opposite grub screw



technical informations

Material

AISI 304 stainless steel, sandblasted matte finish MT.

- Version A: with arrow engraved with laser precision.

- Version B: plain surface.

- Version S: with scale precision graduation. Numbering increases as the knob is turned clockwise, scale from 0 to 9 (20 dividing marks).

Grub screw

Stainless steel DIN 916 with internal hexagon nut and with serrated point.

Special executions on request (For sufficient quantities)

Control knobs with any type of graduation.

Features and applications

Scale or marking arrow on the stainless steel control knobs GN 436.1 are abrasion-resistant and easy to read. Regarding design, numbering run, numbering position and numbering sequence of the scale please see the layout for scale rings on the order sheet.

Standard Elements	Main dimensions						Mounting hole		Weight
	Description	d ₁	d ₃	d ₄	h ₁	h ₂	l	d _{2 H8}	
GN 436.1-24-B5-A-MT	24	22	M4	24	8	12	B5	18	75
GN 436.1-24-B5-B-MT	24	22	M4	24	8	12	B5	18	75
GN 436.1-24-B5-S-MT	24	22	M4	24	8	12	B5	18	75
GN 436.1-24-B6-A-MT	24	22	M4	24	8	12	B6	18	80
GN 436.1-24-B6-B-MT	24	22	M4	24	8	12	B6	18	80
GN 436.1-24-B6-S-MT	24	22	M4	24	8	12	B6	18	80
GN 436.1-28-B6-A-MT	28	26	M4	27	9	13	B6	20	120
GN 436.1-28-B6-B-MT	28	26	M4	27	9	13	B6	20	120
GN 436.1-28-B6-S-MT	28	26	M4	27	9	13	B6	20	120
GN 436.1-28-B8-A-MT	28	26	M4	27	9	13	B8	20	160
GN 436.1-28-B8-B-MT	28	26	M4	27	9	13	B8	20	160
GN 436.1-28-B8-S-MT	28	26	M4	27	9	13	B8	20	160



ELESA and GANTER models all rights reserved in accordance with the law. Always mention the source when reproducing our drawings.

STANDARD MACHINE ELEMENTS WORLDWIDE