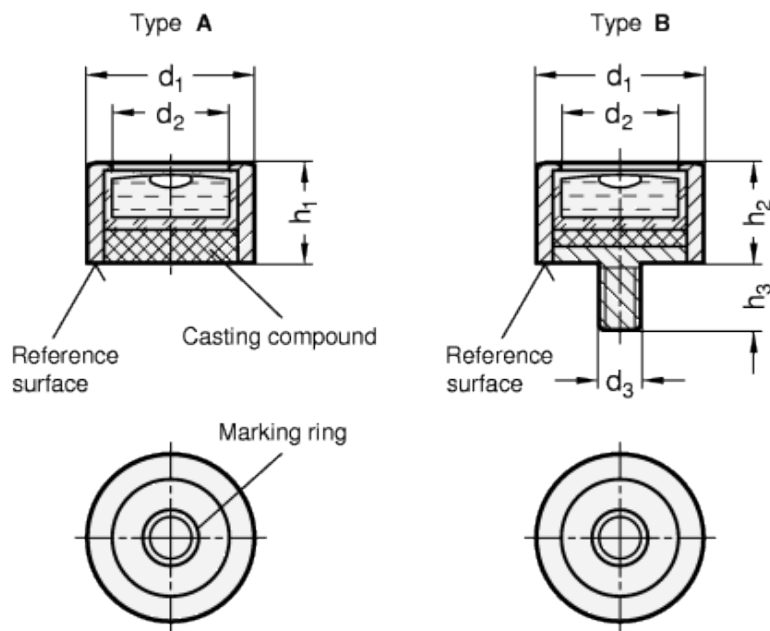


GN 2279

Bull's eye levels



technical informations

Specification

Sensitivity

30 Angle minutes, bubble move by 2 mm

Type

Type A: with smooth reference surface

Type B: with mounting thread

Housing

Aluminium
 anodized, natural colour ALN
 anodized, black ALS

Spirit level element
 Glass plastic body
 Filling
 colourless-transparent K

Casting compound
 mineral-based

Information

Bull's eye levels GN 2279 for surface mounting are used to check the horizontal position of jigs, machines, devices, appliances and instruments.

Type A is used if the spirit level is to be used as a tool, e.g. at different measuring points.

The air levels are aligned in relation to the reference surface such that the bubble is located inside the marking ring once the vertical position of the contact surface is reached.

On request

- Filling, green-transparent
- Other sensitivities
- Housing in brass or Stainless Steel

Standard Elements	Main dimensions						Weight
	Description	d ₁	d ₂	d ₃	h ₁	h ₂	
GN 2279-ALN-14-K-30-A	14	10	M 4	7.7	9.5	5	2
GN 2279-ALS-14-K-30-A	14	10	M 4	7.7	9.5	5	2
GN 2279-ALN-20-K-30-A	20	14	M 5	13	13	6	4
GN 2279-ALS-20-K-30-A	20	14	M 5	13	13	6	4
GN 2279-ALN-30-K-30-A	30	21	M 6	15	15	7.5	7
GN 2279-ALS-30-K-30-A	30	21	M 6	15	15	7.5	7
GN 2279-ALN-14-K-30-B	14	10	M 4	7.7	9.5	5	2
GN 2279-ALS-14-K-30-B	14	10	M 4	7.7	9.5	5	2
GN 2279-ALN-20-K-30-B	20	14	M 5	13	13	6	4
GN 2279-ALS-20-K-30-B	20	14	M 5	13	13	6	4
GN 2279-ALN-30-K-30-B	30	21	M 6	15	15	7.5	7
GN 2279-ALS-30-K-30-B	30	21	M 6	15	15	7.5	7



STANDARD MACHINE ELEMENTS WORLDWIDE